



ENGLISH

User manual, maintenance and safety instructions

FG 236/SU

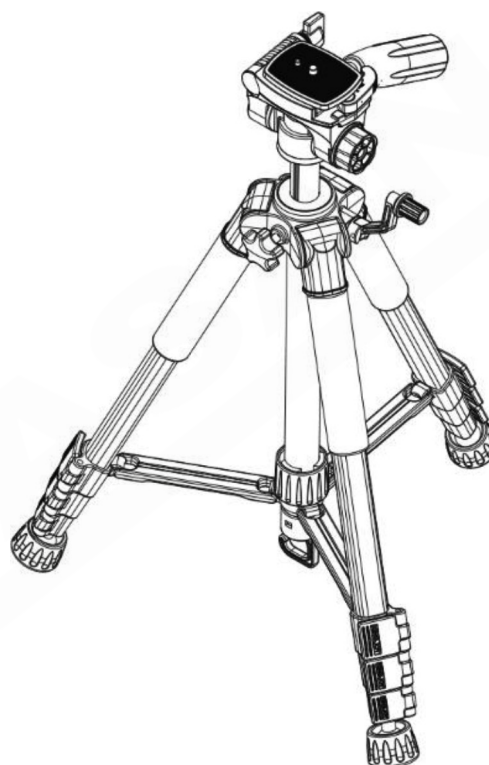
“WORKLIGHT TRIPOD”

Rev.0 092022

SUITABLE FOR:



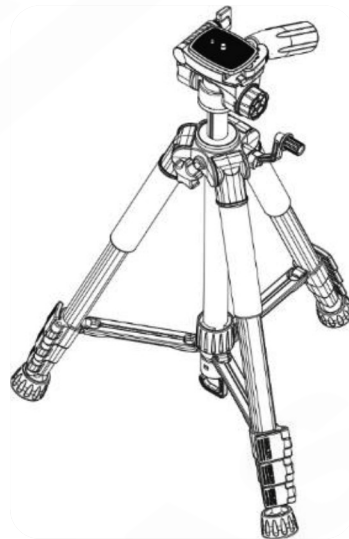
FG 236



ENGLISH

Index

1.	<u>WARNINGS AND PRECAUTIONS FOR USE</u>	9
2.	<u>TECHNICAL FEATURES</u>	9
3.	<u>PARTS DESCRIPTION</u>	10
4.	<u>INSTRUCTIONS FOR USE</u>	10
5.	<u>DISPOSAL INFORMATIONS</u>	12
6.	<u>WARRANTY CONDITIONS</u>	12



IMPORTANT



Before use, carefully read the warnings and instructions contained in this manual. This manual of warnings and instructions is an integral part of the product and must be kept by the user for any future consultation. It contains important information on the safe use of the product.



Use destination.

This device and its accessories must only be used for the purpose for which they have been conceived. A different use from the one suitable could cause damages to people, animals or things and it's considered improper and unreasonable action. The producer can't be considered responsible for possible damages caused by improper, wrong and unreasonable uses as, for example, the inobservance of the safety instructions, the use of not original accessories and operations not authorized on the product from the producer.

1. WARNINGS AND PRECAUTIONS FOR USE

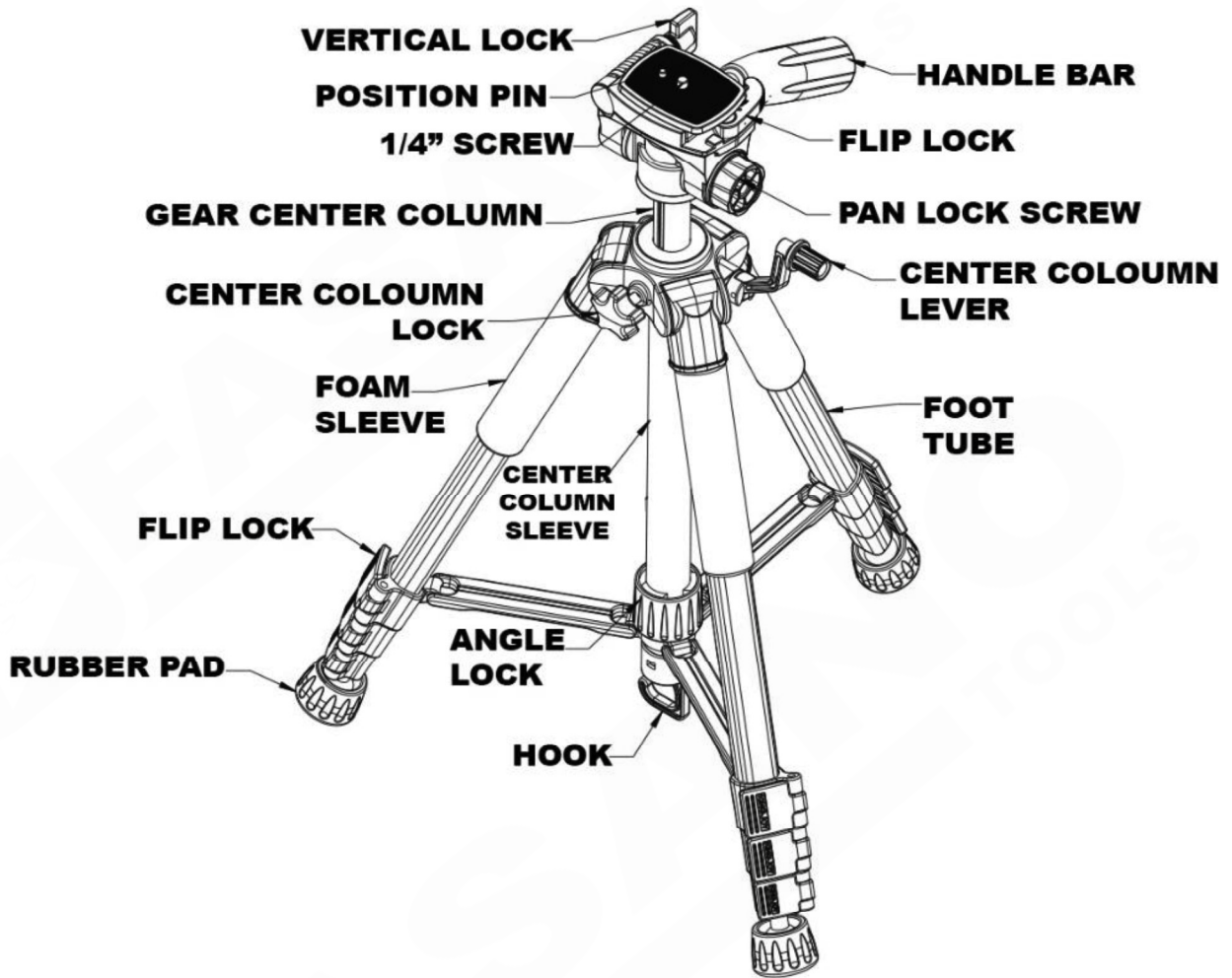
Attention: Failure to comply with these safety instructions could cause serious damage to people, the environment and the product itself.

- This device is not a toy. Keep out of reach of children.
- The packaging material (cardboard box, plastic sheets, etc.) must not be used by children for play.
- Do not throw into fire or expose to flames.
- Do not use this tripod if the ambient temperature is below -20°C or above 70°C .
- Do not expose this tripod to direct sunlight or place it on car headlights.
- Do not use this tripod in contact with saltwater.
- Falling events can irreparably damage the product and its accessories and are not covered by warranty.
- Do not leave this tripod unattended in public areas. Be careful when using this stand in difficult conditions.
- It is not necessary to lubricate.
- Be careful when using this tripod with the headlight powered by electricity.

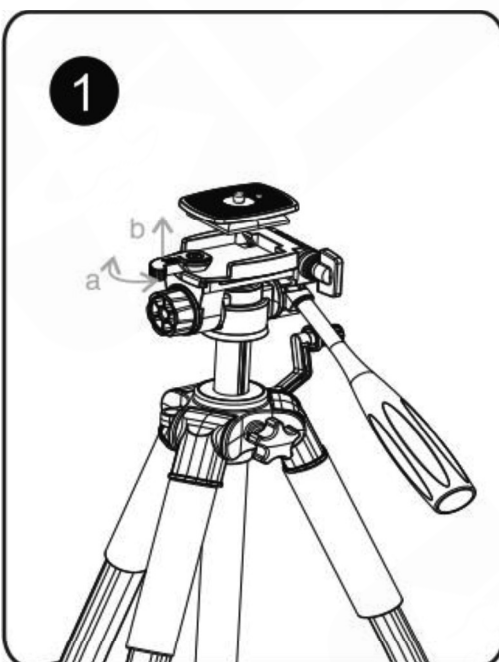
2. TECHNICAL FEATURES

Net weight:	1098 g
Height:	476 mm (folded) 1440 mm (extended)
Sections:	3
Maximum load:	2 kg

3. PARTS DESCRIPTION

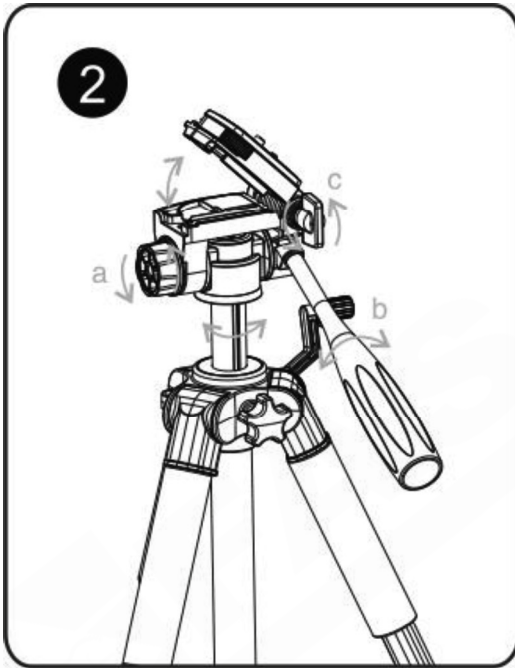


4. INSTRUCTIONS FOR USE



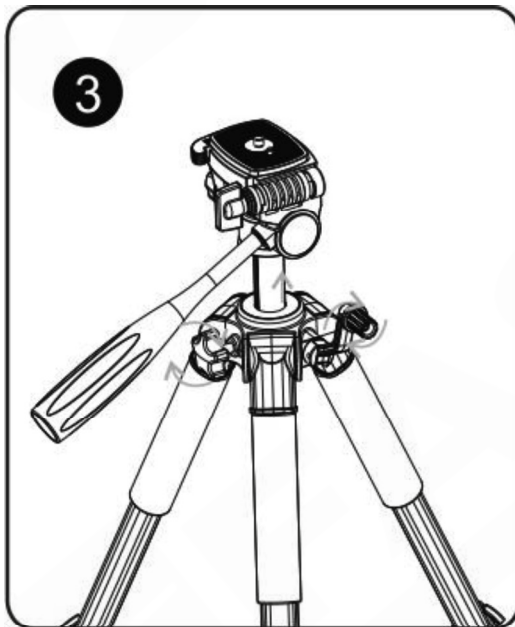
1. THE USE OF THE QUICK RELEASE PLATE.

To remove the quick release plate on which the floodlight is to be positioned, squeeze and pull the flip lock out. The quick release plate will disengage allowing it to be removed.



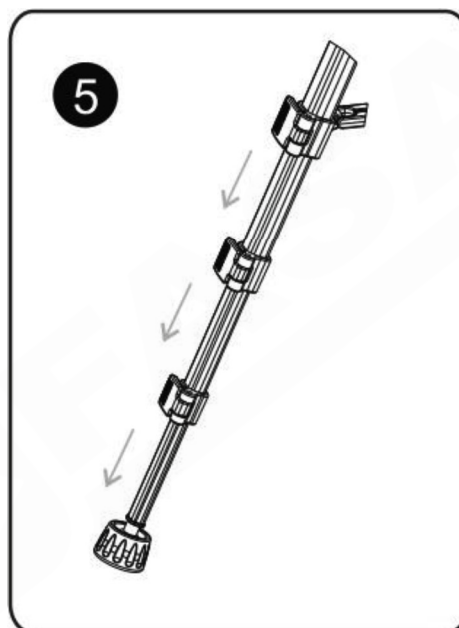
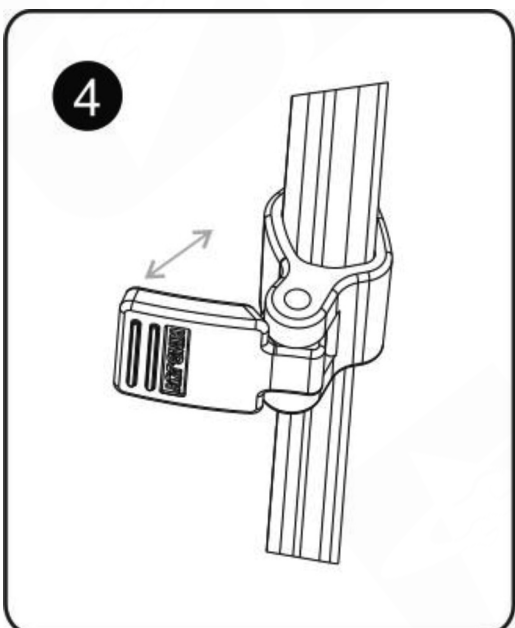
2. THE VERTICAL, HORIZONTAL AND 90° VERTICAL ROTATION OF PAN-TILT.

- a) Rotating the pan lock screw (**a**) as the arrow shows, to loose or tight the pan tilt in horizontal direction.
- b) Rotating the handle bar (**b**) as the arrow shows, to loose or tight the pan-tilt in vertical direction.
- c) Rotating the vertical lock (**c**) as the arrow shoes, to loose or tight the pan-tilt in 90° vertical direction.



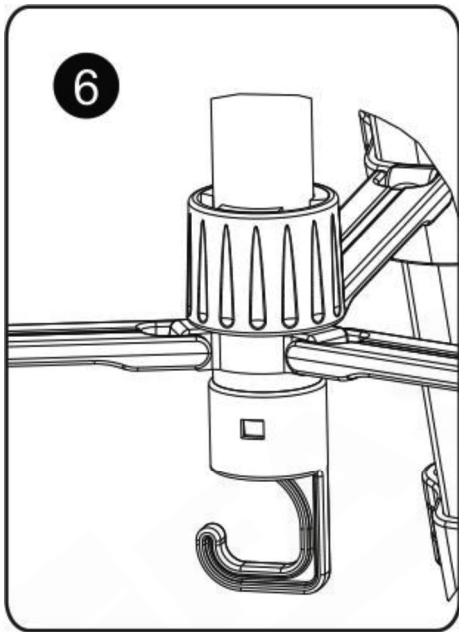
3. THE USAGE OF THE CENTER COLUMN.

Rotating the center column lever to adjust the height to the desired position. Lock the height tight with center column lock.



4. EXTEND AND FOLD THE FOOT TUBE.

Each foot could be adjusted to the desired length by opening the flip lock to allow the foot slide in or out. Snap the flip lock closed to make sure they are securely locked.



5. USING THE STABILIZER HOOK.

Under certain conditions, such as windy conditions, a weight must be added to stabilize the support: use the hook to hang a sandbag or something similar. **DO NOT EXCEED THE WEIGHT TO NOT OVERLOAD THE SUPPORT.**

5. DISPOSAL INFORMATIONS

When the support is no longer usable or even less repairable, dispose of it according to local regulations in order to protect the environment.

6. WARRANTY CONDITIONS

This product is warranted to be free from defects in manufacturing and materials, for normal service use, for a period of one year from the date of purchase.

If, in this period, defects attributable to the manufacturer are found on the product, the company Fasangas S.r.l. will act, at its own discretion, by repairing the product or replacing it with another one of equal value and characteristics at no cost to the buyer.

The warranty does not cover consumables and / or components subject to particular wear and tear and failures caused by inappropriate or incorrect use of the product or in any case not compliant with what is detailed in this manual.

The warranty right lapses if the product has been tampered with by personnel not authorized by Fasangas S.r.l.

Products without warranty rights will be repaired at the customer's sole expense.